

Thank you for choosing a SILVADEC® decking accessory! We hope you will be completely satisfied with your purchase, and will enjoy it for many years to come!

The recommendations for use below are additional to and in no way replace the instructions for installing SILVADEC® decking boards.

ALUMINIUM JOIST

The SILVADEC® aluminium joist is an alternative to wood or wood composite joists, for mounting on pedestals or on rubber pads. It offers a structural solution, especially for items installed on weather proofing (wet environment).

GROUND PREPARATION

The ground must be level to enable a stable and secure installation of the pedestals or rubber pads.

INSTALLING ALUMINIUM JOISTS

For pedestrian access installations (paths, walkways, etc.), note that deck boards must be laid perpendicular to the direction of movement, especially for public areas. The joists must therefore be installed parallel to the direction of movement.

The ends of each board must be fixed to a joist in order to eliminate any risk of deformation or breakage. The overhang must not exceed 25 mm.

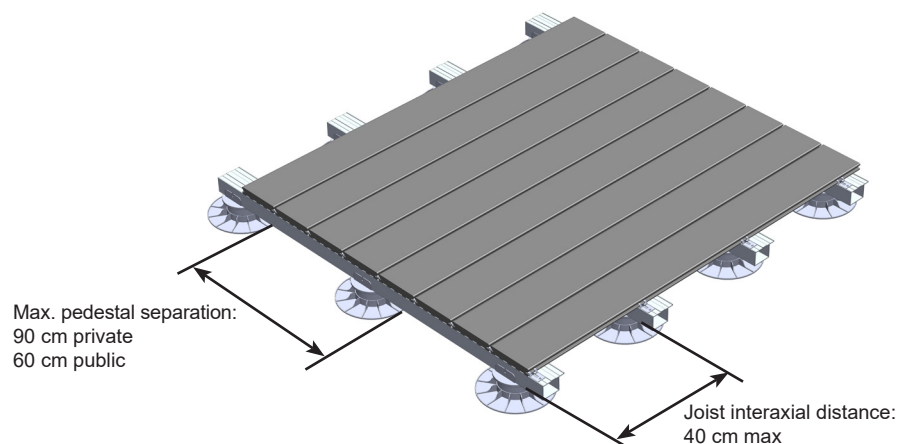
We recommend using joists that extend slightly beyond the edges of the decking, cutting them down with a metal saw when the decking is complete.

The joists must be installed with regular interaxial spacing of no more than 40 cm.

PEDESTAL MOUNTING

The pedestals must be located along the joists at the following interaxial distances:

- 90 cm maximum for a private installation
- 60 cm maximum for a public installation



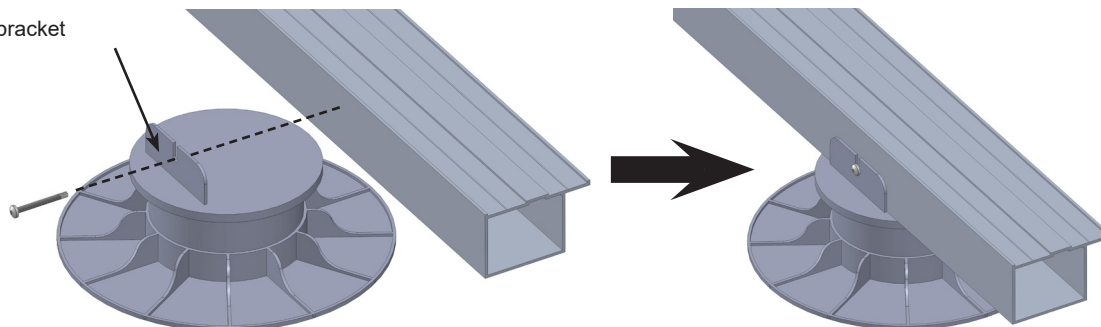
Pedestal type:

SILVADEC® aluminium joists are compatible with a large number of standard pedestals.

The selection and quality of the pedestals is the responsibility of the installer and will depend on the clearance height, the total weight of decking to be supported and the slope to compensate.

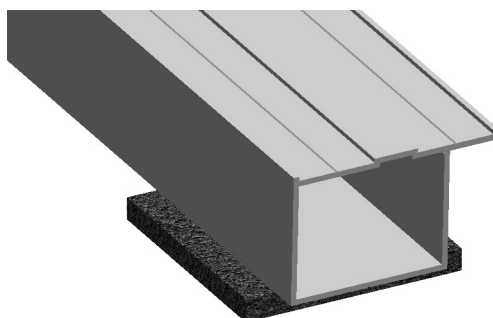
We recommend using pedestals with brackets enabling the joist to be screwed to the pedestal (see diagram below). For this, use stainless steel self-tapping screws, $\varnothing 4$ mm, minimum length 16 mm (not supplied).

Pedestal installation bracket



INSTALLING RUBBER PADS

When the required clearance height means that pedestals cannot be used, it is possible to install joists on rubber pads measuring at least 80x80x8mm. The spacing between these must be exactly the same as for pedestals (see above). If installing on rubber pads, the structure must have a point of anchorage to the ground.



STRUCTURE

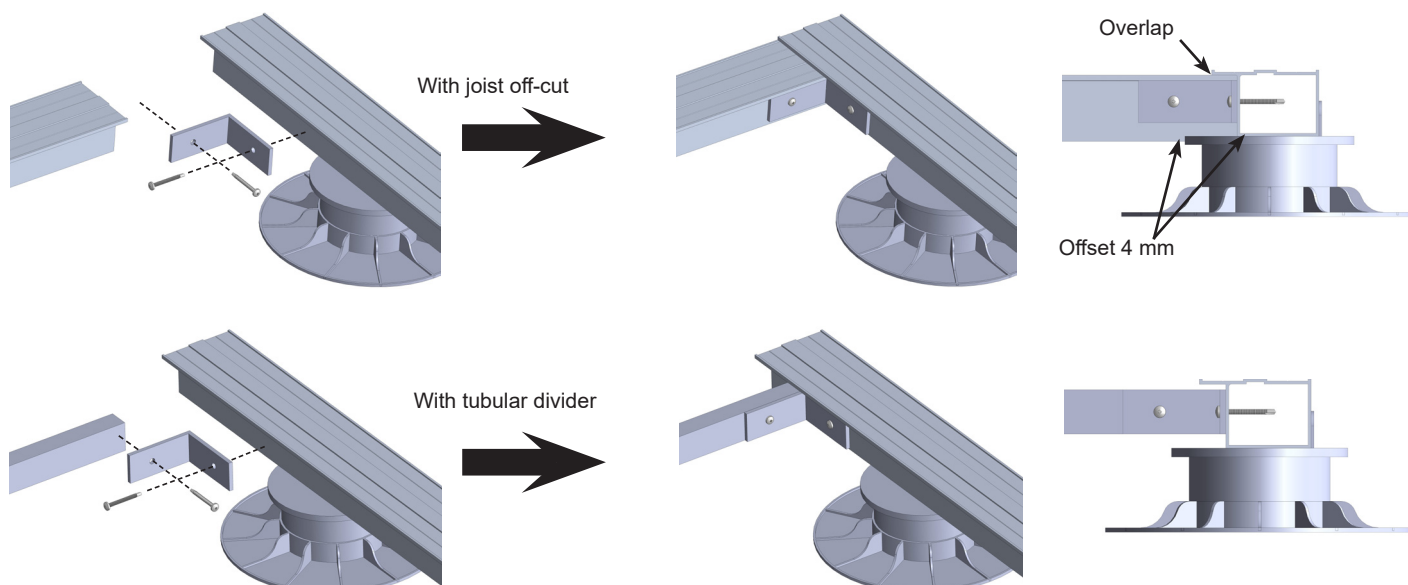
We recommend fixing the joists to each other using dividers.

For this, use either off-cuts of SILVADEC® aluminium joists or tubular aluminium dividers.

We recommend fixing these dividers with stainless steel brackets of minimum 50x50x30 mm and self-tapping stainless steel screws of $\varnothing 4$ mm, minimum length 16 mm (not supplied).

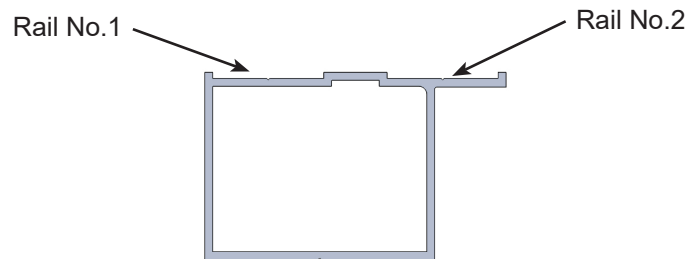
N.B. these dividers must not be used to fix the boards.

If installing finishing boards (see "Installing finishing accessories" section), it is also possible to make an edge frame encircling the structure.



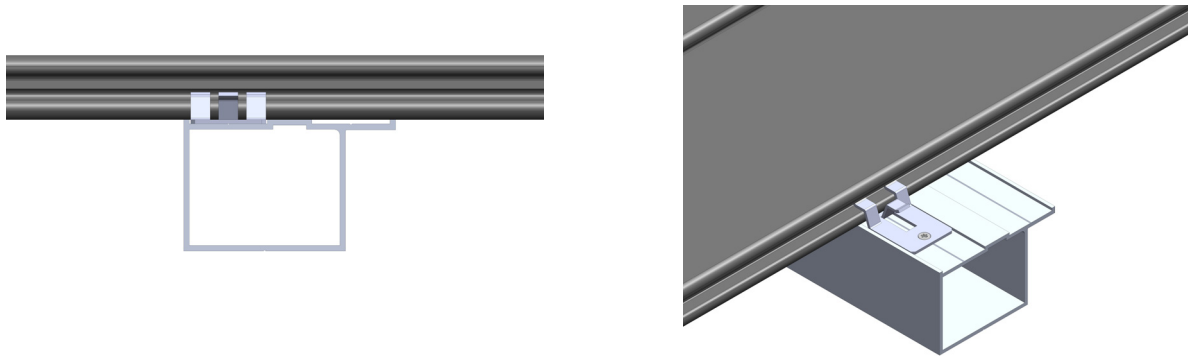
Board installation:

With SILVADEC® aluminium joists the boards can be butted onto a single joist. Joists have two clip installation rails for this purpose. "Rail No.1" should be used in most cases, while "Rail No.2" is mainly used for butting boards. Use stainless steel self-tapping screws when fixing clips to aluminium joists.



Installation with single fastening clip:

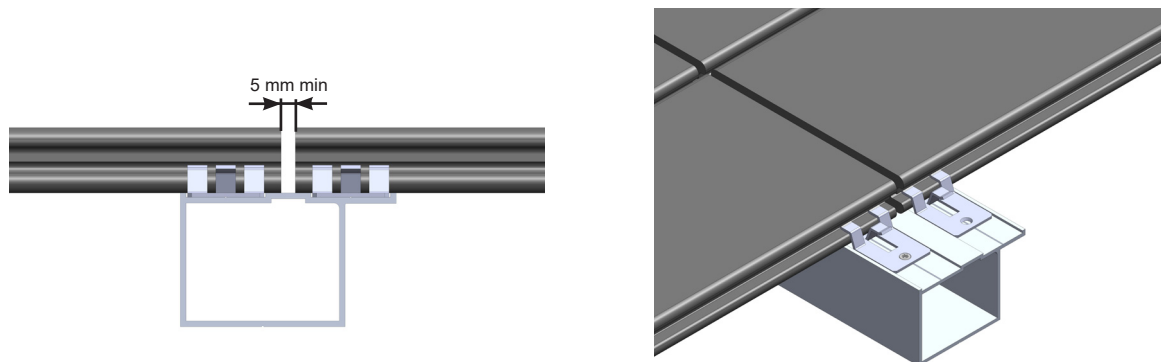
The recommendation is to use Rail No.1 for installation with single fastening clips. The clip slides under the board.



Butting boards:

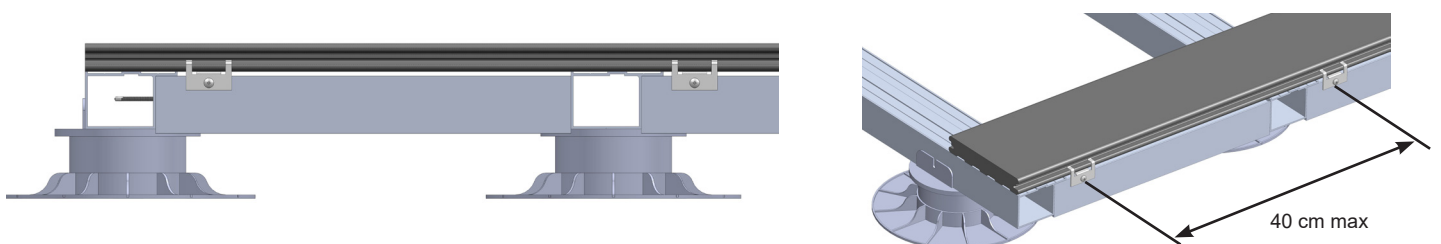
When butting boards, both rails can be used, with a single fastening clip in each rail. In this case, make sure the ends of the boards are resting properly and stably on the joists, cutting them to length if necessary.

N.B.: the butting clip is not compatible with this joist.



Installing boards at the edge of the decking:

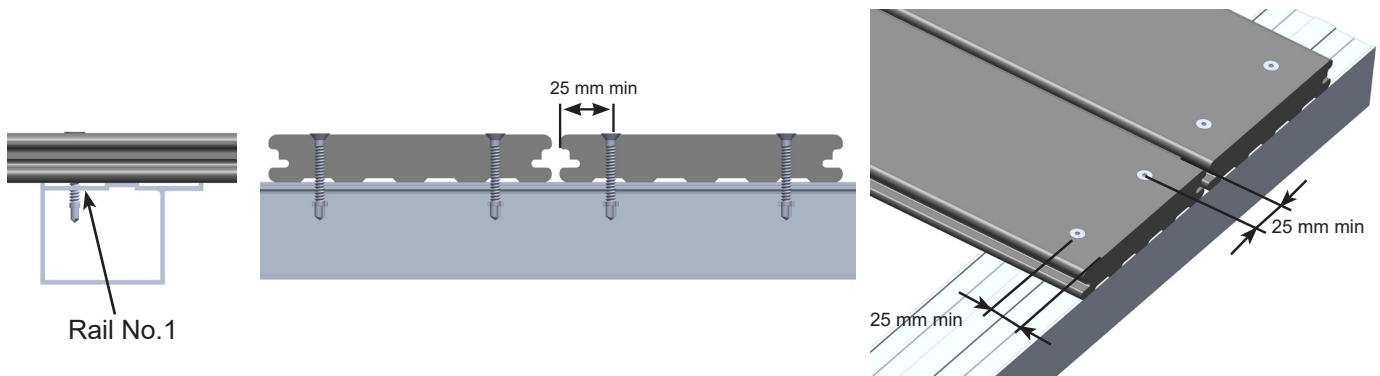
Edge boards can be fixed with start and end clips. These clips are screwed into the dividers. They secure the peripheral boards without exposed screws. They should be installed no more than 40 cm apart.



Installing boards with exposed screws:

Type of screw to use: countersunk stainless steel self-tapping screws of $\varnothing 5$ mm, minimum length 35 mm (not supplied). It is essential to pre-drill wood composite boards using a 3.5 mm bit.
Tip: for an elegant finish, make a small 45° chamfer for the screw head.

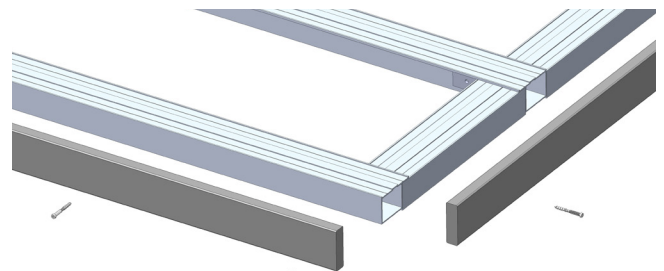
Screwing boards to joists It is essential to insert 2 screws at each intersection of board and joist so every 40 cm maximum. Except where butting, screws must be positioned to enter Rail No.1 on the joist.
Screws MUST NOT be inserted less than 25 mm from the edge of the board (even with pre-drilling).
N.B.: expansion gaps MUST BE observed (refer to the section entitled "Spacing between boards" in installation instruction PU7 - Deck boards).



Installing finishing accessories - Installing fascia or finishing boards:

To install fascia or finishing boards, vertically, the structure of the aluminium joist can be adapted using dividers.

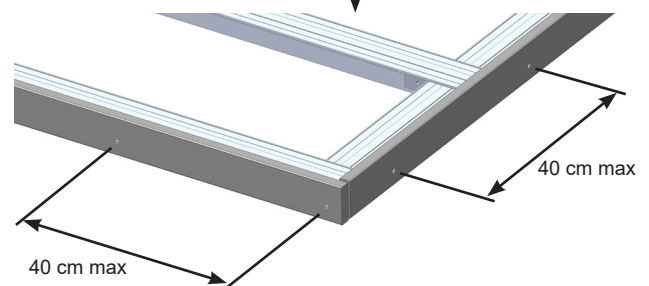
STEP 1: The dividers must be installed around the edge of the decking, to create a frame to which the fascia boards can be fixed. Install the dividers following the instructions in the "Structure" section on page 2 of this document.



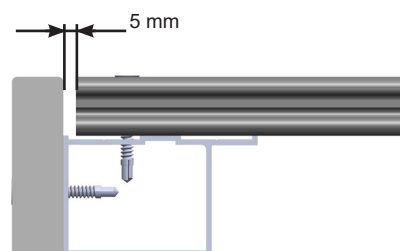
STEP 2: Pre-drill the fascia boards with a 3.5 mm bit, then insert screws every 40 cm.

For the finishing boards (higher than the fascia), brackets can be placed under the joist to double the number of attachment points.

Type of screw to use: countersunk stainless steel self-tapping screws of $\varnothing 5$ mm, minimum length 35 mm (not supplied).



Be sure to leave a 5 mm expansion gap between the fascia and the end of the boards.



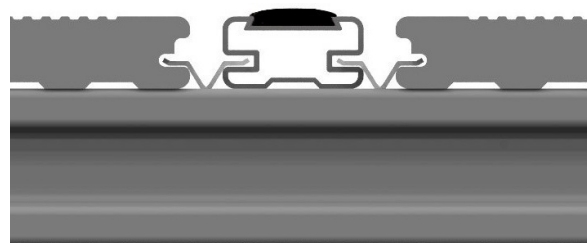
NON-SLIP INSERT

Non-slip inserts are designed to be installed with SILVADEC® clips. The ideal non-slip finish is achieved by insertion between each board. The very abrasive nature of the non-slip inserts precludes their use with bare feet. Great care must be taken when cutting, and tools appropriate for cutting hard materials (tungsten carbide-tipped blades) should be used. Installation can be with start and end clips, single fastening clips or butting clips. The insert is also compatible with Invisiclips.

Installation with start and end clips



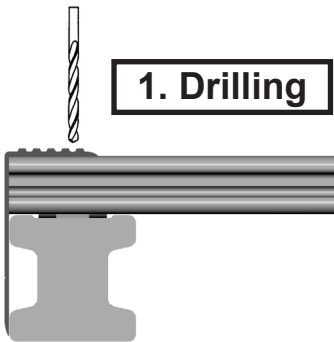
Installation with single fastening clip



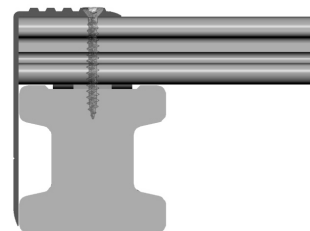
ALUMINIUM CORNER PROFILE (length 2.00 m)

The aluminium corner profile is a finishing accessory for SILVADEC® wood composite boards and joists. It covers the height equivalent of a board and a joist. Install this corner profile with screws, taking care to pre-drill the corner profile, the board and if necessary the joist, depending on the configuration selected. We recommend using stainless steel screws, diameter 4 mm or less and no longer than 35 mm.

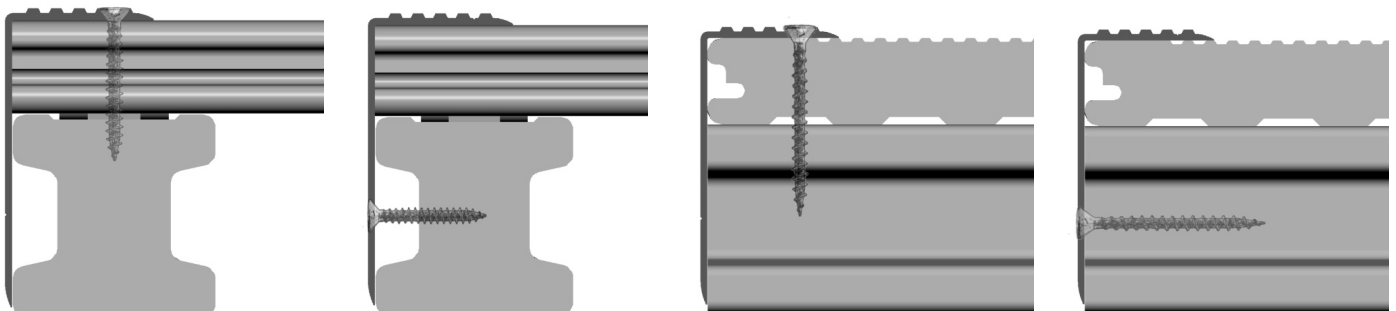
1. Drilling



2. Screwing

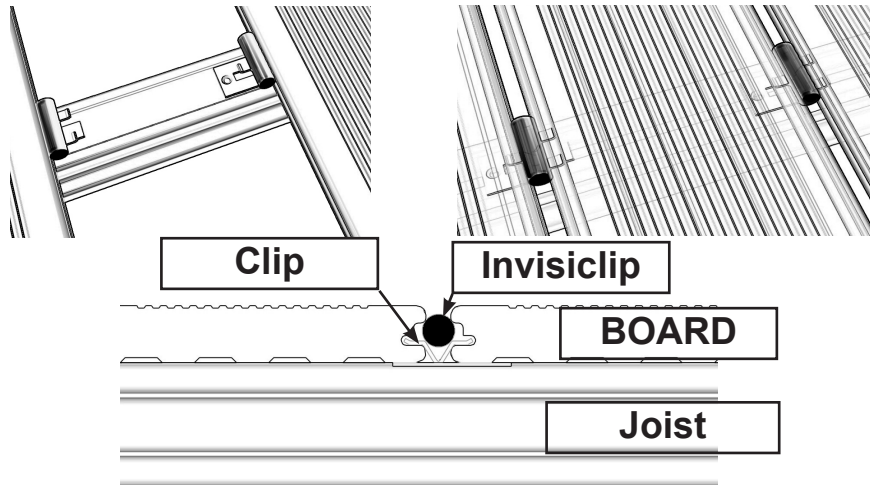


Several installation configurations are possible



INVISICLIP

Invisiclips are inserted between two boards, above the clips so that they are concealed. This operation takes place while the boards are being installed.



SOLAR FLOOR-MOUNTED LED LIGHT

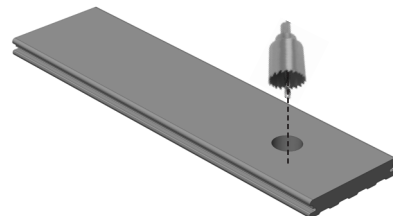
SILVADEC® solar floor-mounted LED lights are designed as illuminated markers for decking. The integrated solar panel makes for quick and simple installation, with no wiring necessary. The only requirement is to drill the boards.

Tools required:

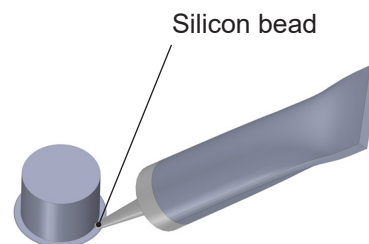
- drill
- ø35 mm drill-bit



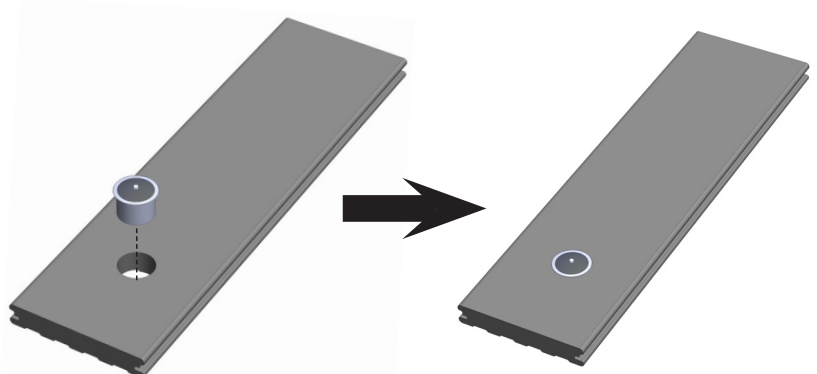
Step 1: Drill a hole in the board.



Step 2: Use a bead of silicon under the collar of the floor-mounted LED light to securely fix it to the decking.



Step 3: Insert the floor-mounted LED light into the hole drilled in Step 1.



NB: Floor-mounted LED lights cannot be positioned above joists, because the light is thicker than the board.