

### PLEASE READ CAREFULLY BEFORE INSTALLING ANY REMOVABLE CLIPS


The Silvadec decking removable clip can be used:

- To give access to a feature underneath the decking (water-proofing, electrical connection block, etc.),
- To render the decking partially removable by inserting one or two rows of removable clips at regular intervals between 2 boards, instead of the single fastening clips.

 **Tools required for fitting removable clips:**

- Screw gun with standard Torx T15 bit
- Screws, Ø 3 x 35 mm (supplied with the clip)

To install the joists, refer to the Silvadec deck board installation instructions (PU 7).

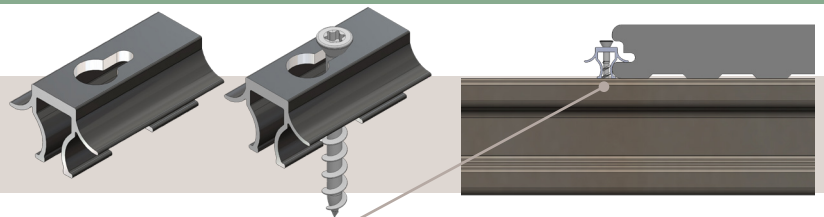
 **IMPORTANT:** The gap between the boards due to the removable clip may be slightly different from the gap due to the single fastening clip. This may cause a slight offset between butted boards. Whichever clip you use, we strongly recommend refraining from forcing it when fitting, to limit this offset.

 **WARNING:** the removable clip is not compatible with the Silvadec aluminium joist, nor with any joist made of aluminium or galvanised steel.

### INSTALLING THE DECK BOARDS WITH SILVADEC REMOVABLE CLIPS

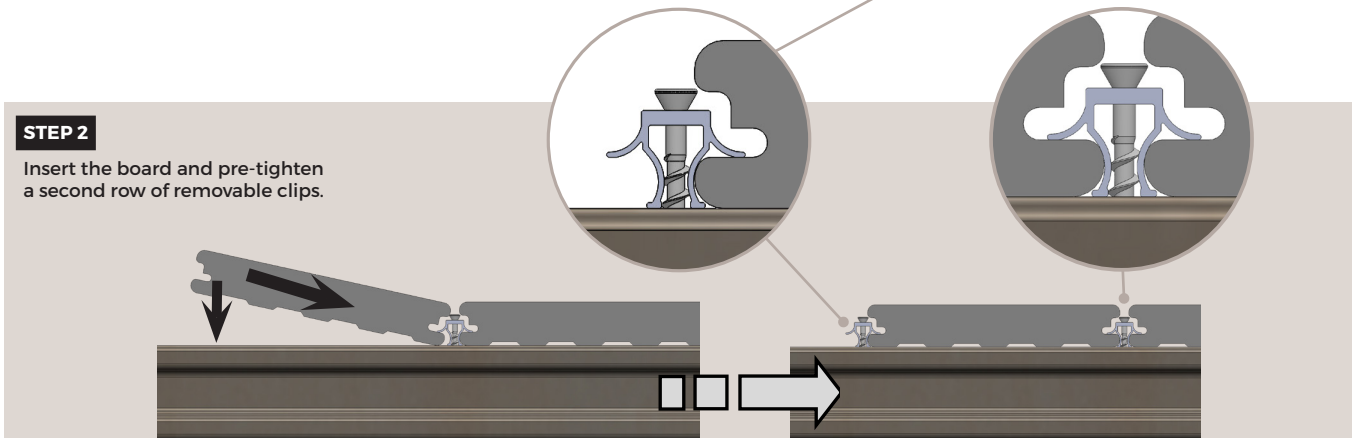
#### STEP 1

Pre-tighten the first row of removable clips (without fully screwing the screws into the clips).



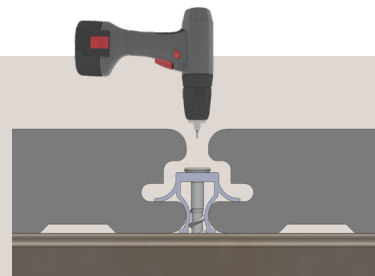
#### STEP 2

Insert the board and pre-tighten a second row of removable clips.



#### STEP 3

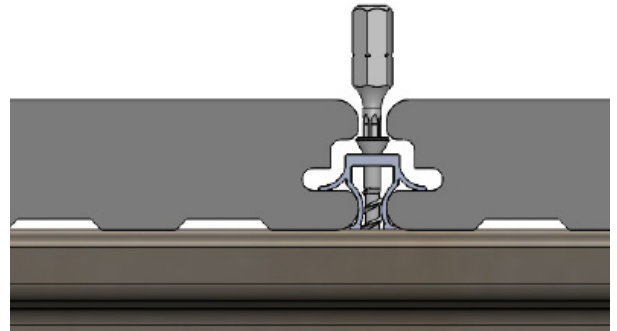
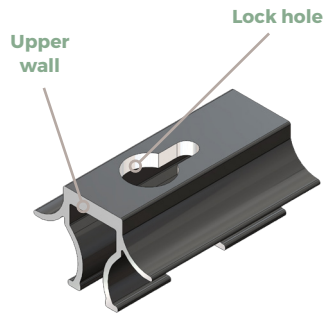
Tighten the first row of removable clips fully.



#### STEP 4

After inserting and fastening the next board using the standard single fastening clip, tighten the second row of clips fully. Repeat these operations for each row of boards which must be removable.

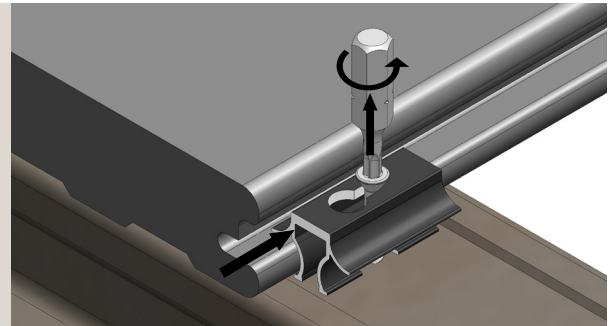
## REMOVING THE BOARDS



The removable clip is designed so that the screw is accessible with a standard Torx T15 bit.

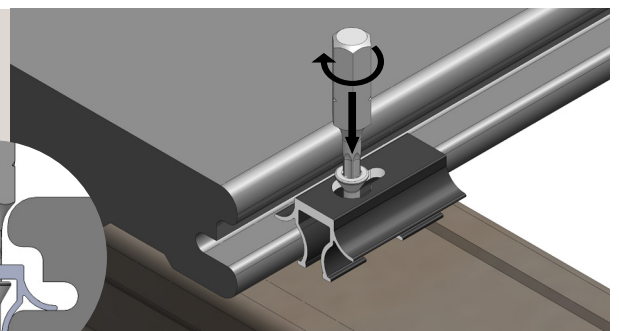
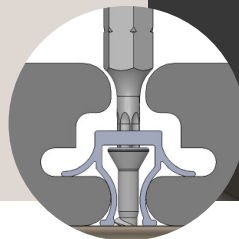
### STEP 1

- Undo the screw slightly to loosen the removable clip.
- Move the removable clip aside to align the "lock hole" with the screw head.



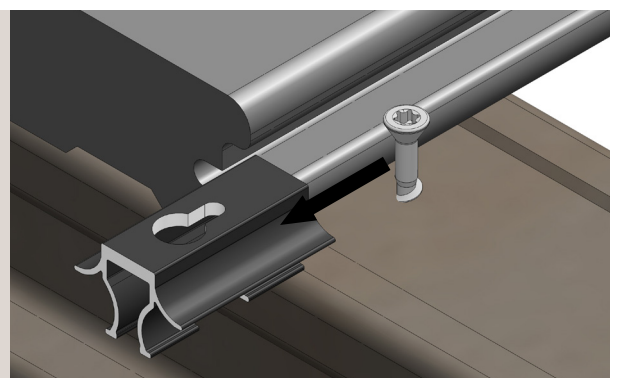
### STEP 2

Then screw the screw back in so that the head is below the upper wall of the removable clip.



### STEP 3

Shift the removable clip to the end of the board or the decking to remove it.



Repeat steps 1 to 3 for the removable clips around the board edges.  
This will release the board. It can now be removed.  
To refit the board, perform these operations in reverse.

This version of the installation instructions may not be the most recent version to date.  
Consult the latest version on our website [www.silvadec.com](http://www.silvadec.com).