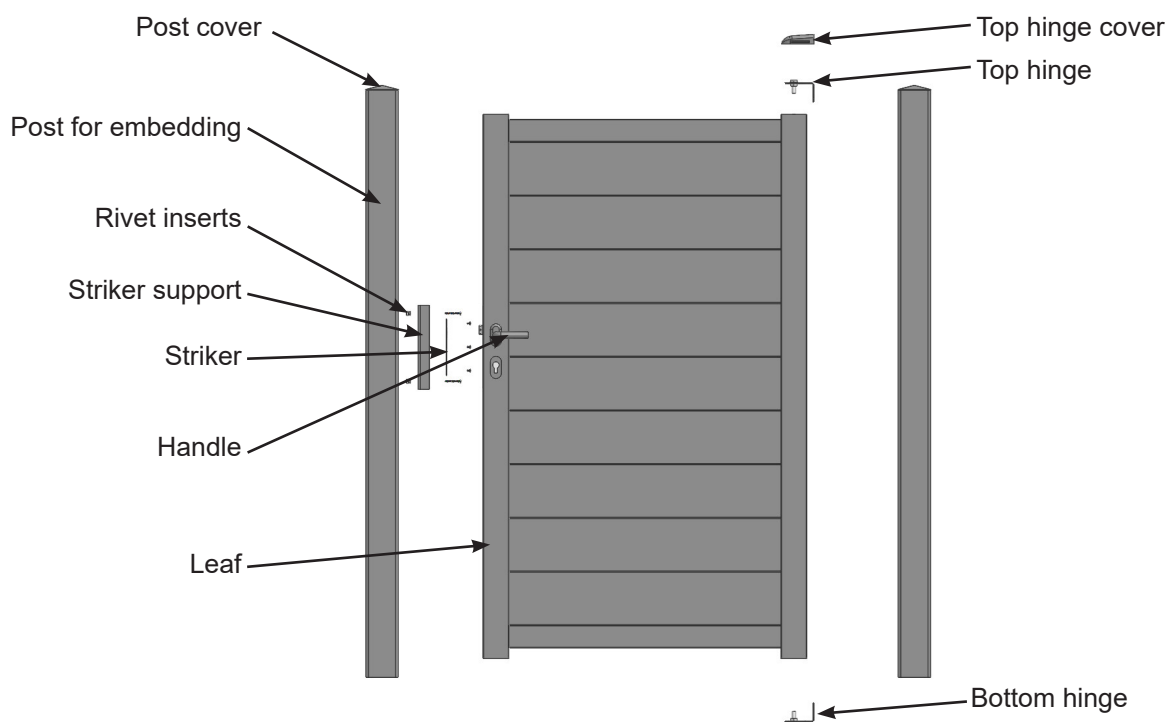


PARTS

The SILVADEC® gate unit comprises 2 reference items:

- The gate, which includes the leaf, handles, hinges, striker and striker support.
- The posts for embedding, sold separately and individually (optional).

References	Parts	Number	Notes
Gate	Leaf	1	Dimensions: 1000 (wide) x 1682 (high) x 40 (thick) mm Lock and filling boards pre-mounted in the frame
	Handles	2	Handles not assembled (spindle and screws included)
	Striker support	1	TO be fixed to the aluminium posts (screws and rivet inserts provided), or to masonry pillars (NB: screws and screw anchors not included)
	Striker	1	TO be fixed to the striker support (screws included)
	Hinges + top hinge cover	2	Top (with cover) and bottom hinges, to be fixed to the aluminium posts, or to masonry pillars (NB: screws and screw anchors not included)
Post for embedding	Post	1	Aluminium post: 100 x 100 x 2315 mm
	Post cover	1	Aluminium cover already fitted to the post

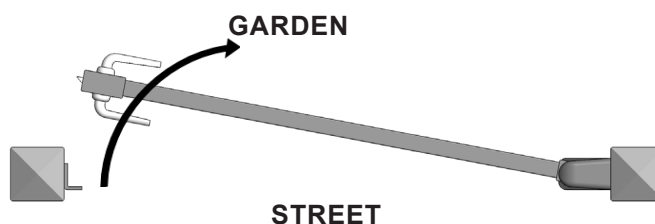


TECHNICAL INFORMATION ABOUT THE SILVADEC® GATE

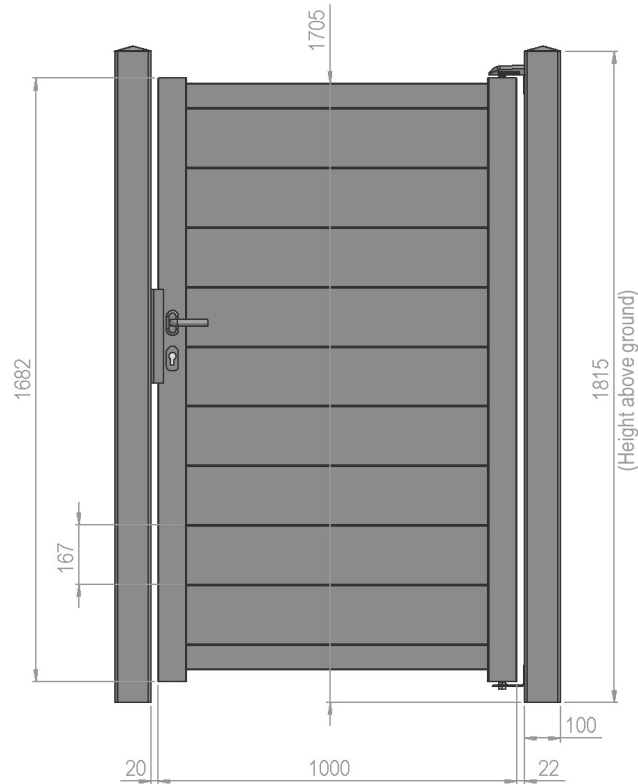
All SILVADEC® gates are “**right handed**”, opening away from the street.



Two people should be present when installing the gate.



DIMENSIONS



INSTALLING THE GATE

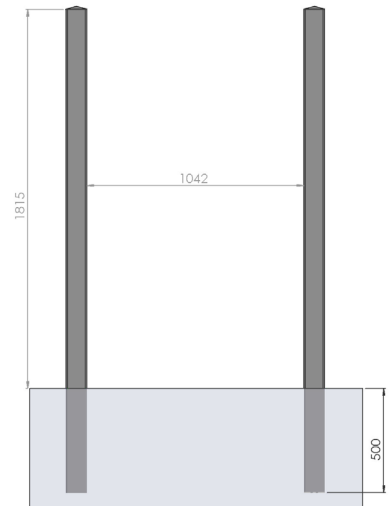
WHEN INSTALLING IN A 1.8 METRE SILVADEC® FENCE

The SILVADEC® aluminium gate can be installed between panels of SILVADEC® fencing. If doing so, buy two aluminium posts for embedding, sold separately. The posts are sold with post covers already fitted.



Installing the posts:

The posts must be embedded to a depth of around 500 mm. Make sure the post height above ground is 1815 mm (to the bottom of the cover). Use a level to **check that the posts remain plumb** throughout the embedding process.

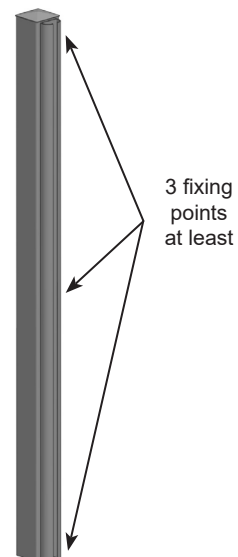
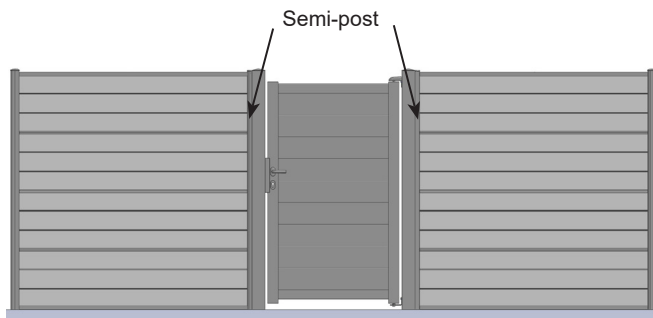


Using wall semi-posts:

Aluminium semi-posts can be used for the fence panels on either side of the gate, fixed to the gate's embedded posts.

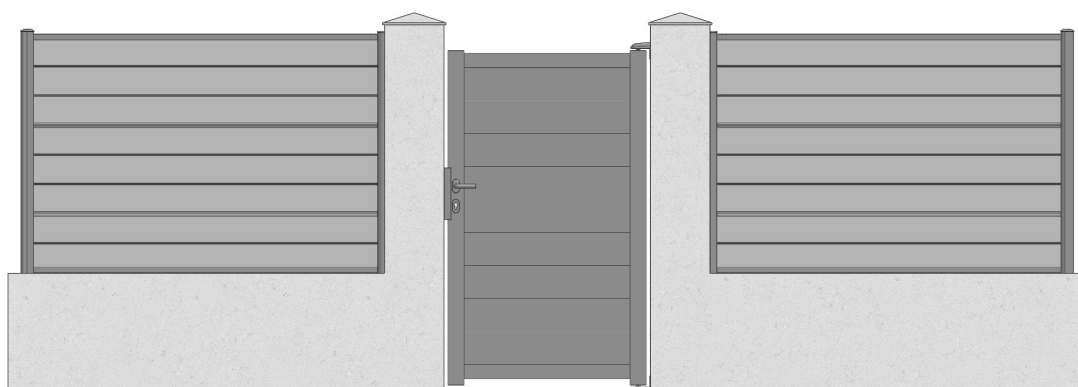
The semi-posts can be fixed to the embedded posts using self-tapping screws or rivets, in at least three places.

For details on how to use the semi-post and semi-post cover, refer to PU11 - SILVADEC fencing (page 10/11).

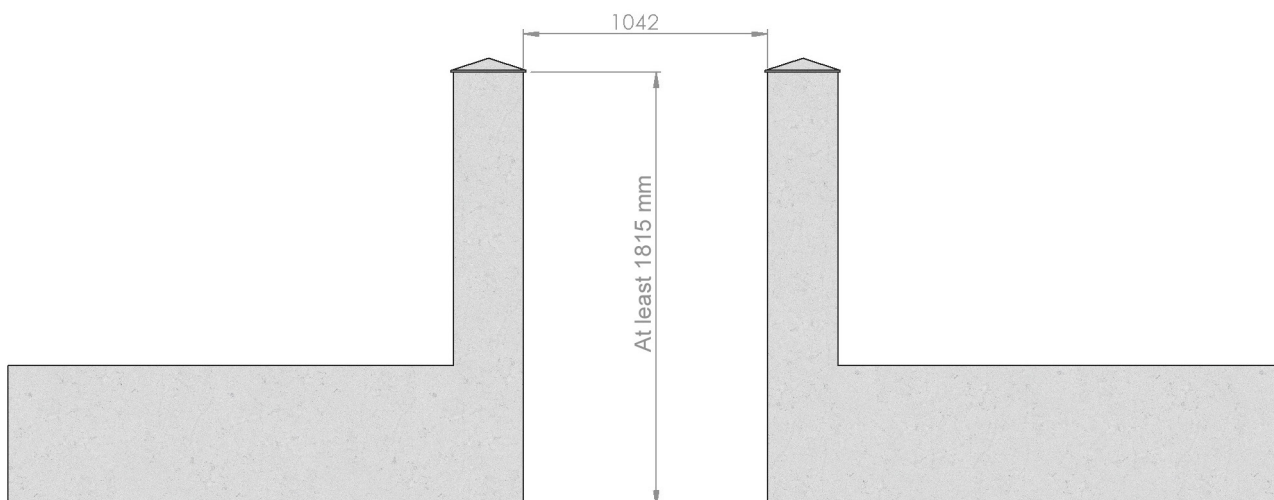


WHEN INSTALLING BETWEEN TWO MASONRY PILLARS

The SILVADEC® aluminium gate can be installed between two masonry pillars in a dwarf wall. Acquire fixings suitable for the wall's masonry type.



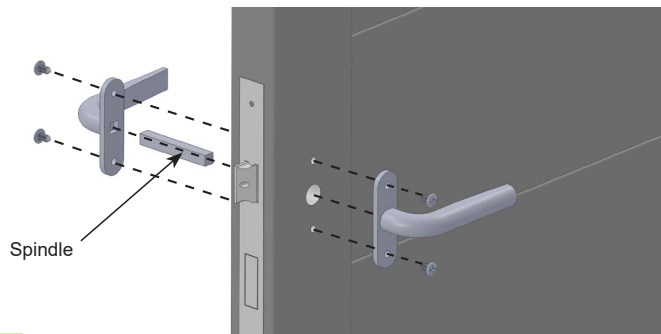
The pillars must comply with these dimensions:



Use a level to **check the posts are plumb before fitting the hinges.**

INSTALLING THE HANDLES

Fit the two handles to the leaf, using the spindle and screws provided.

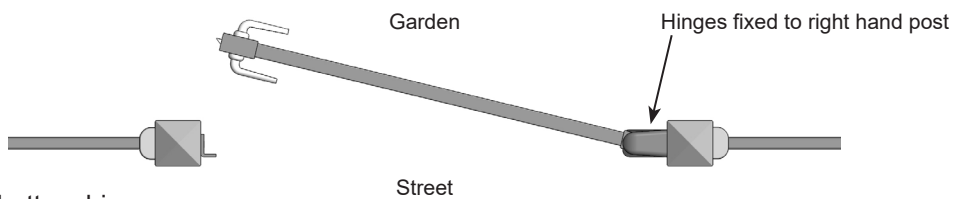


INSTALLING THE HINGES

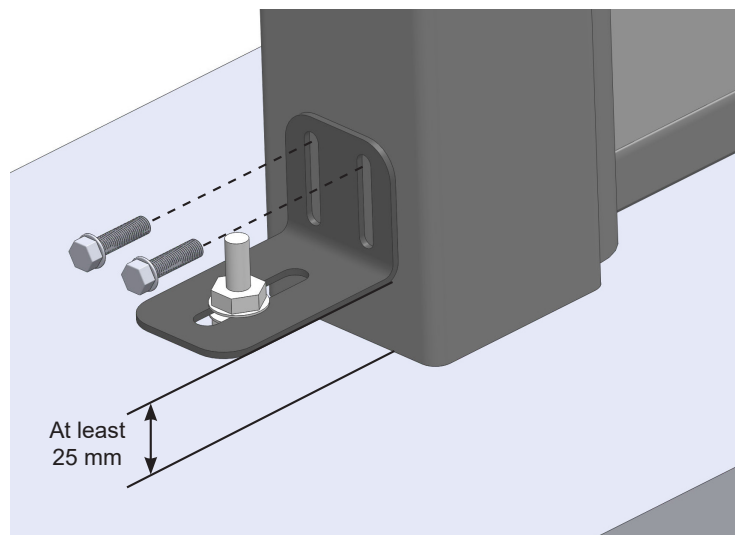
The hinges must be screwed:

- to embedded posts using self-tapping screws with $\text{Ø}6$ mm flanges (**not included**)
- to masonry pillars using $\text{Ø}6$ mm screws and screw anchors suitable to the type of masonry (**not included**)

NB: viewed from the outside, on the street, the hinges must be on the right hand post.

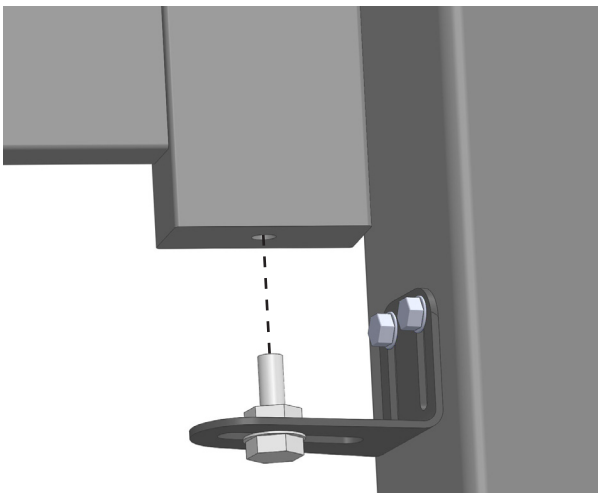


Step 1: Fixing the bottom hinge

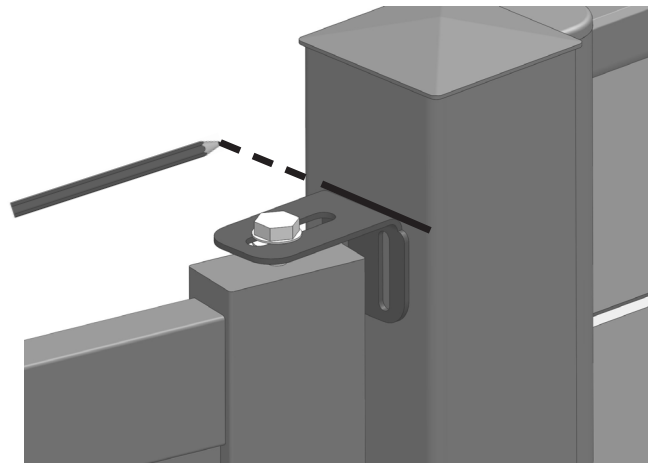


Step 2: Fixing the top hinge

Step 2.1: Place the leaf onto the already installed bottom hinge.

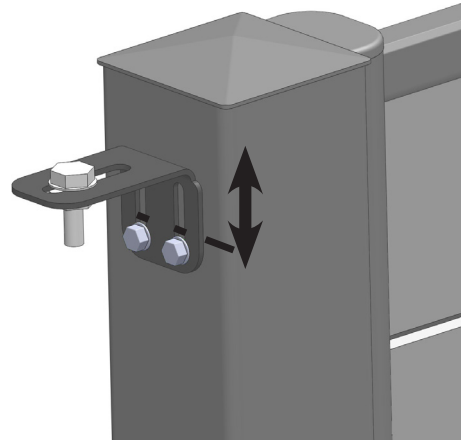
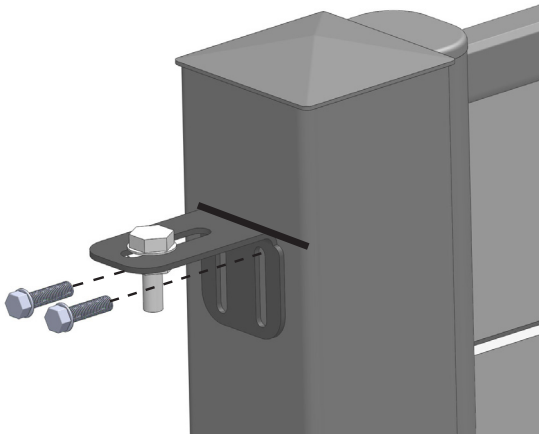


Step 2.2: Use a pencil to mark the position of the top hinge.

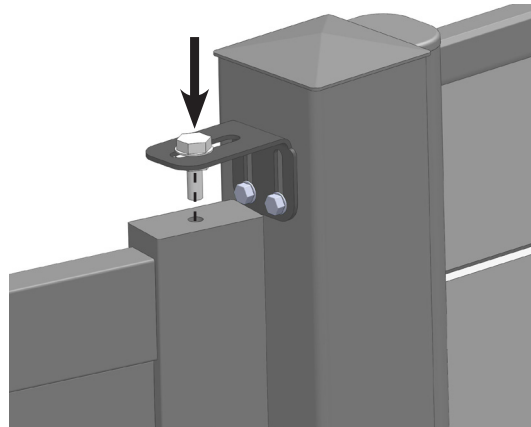


Step 2.3: Remove the leaf then screw in the top hinge **without fully tightening the screws.**

The hinge must be able to slide up and down.

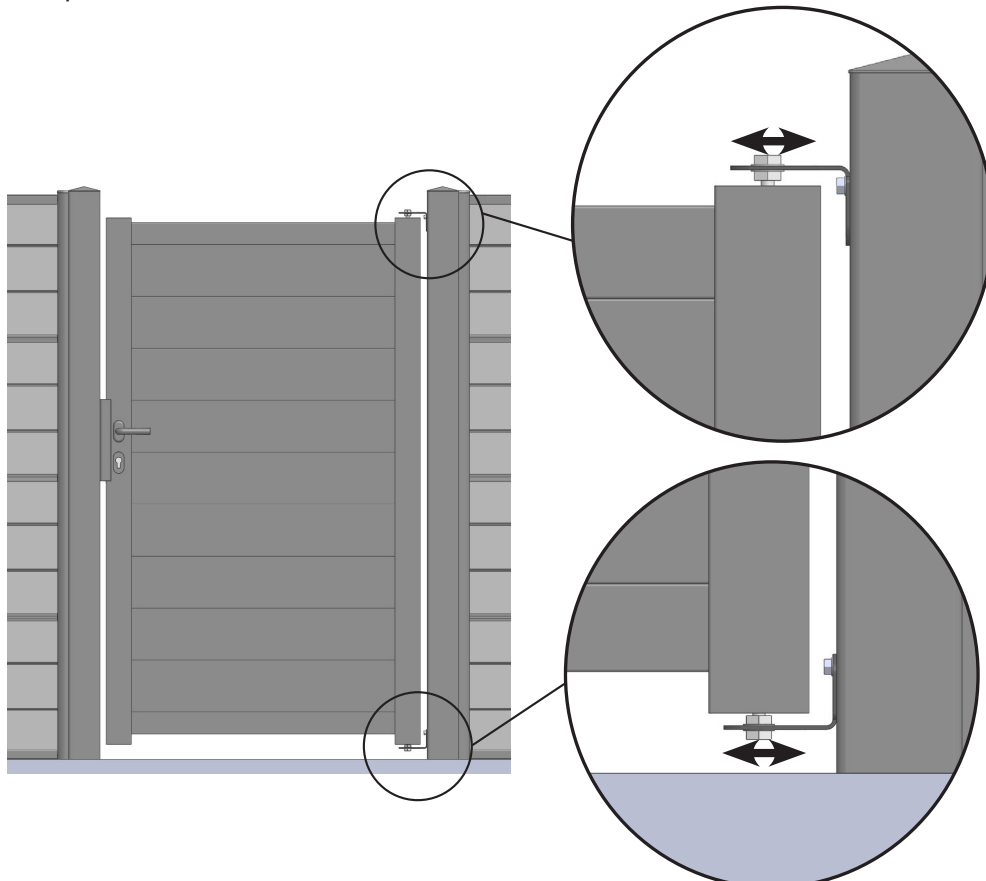


Step 2.4: Replace the leaf onto the bottom hinge, then insert the top hinge. Then fully tighten the fixing screws.

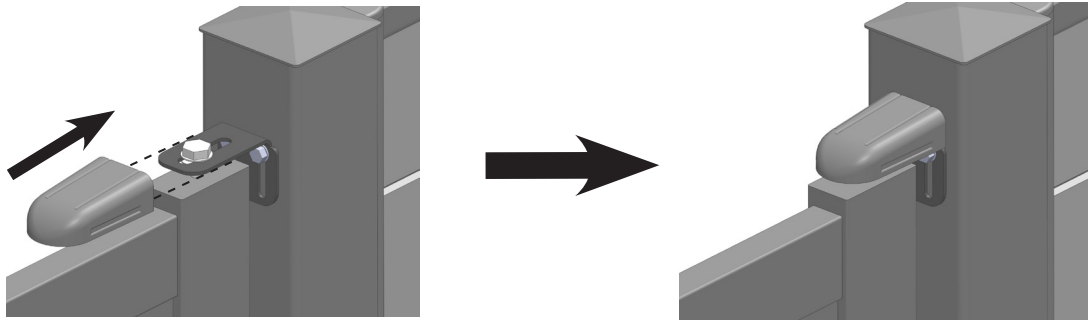


ADJUSTMENTS TO ALIGNMENT

The gate's vertical alignment can be adjusted using the top and bottom hinges. Lock the position by tightening the nuts with two flat spanners.



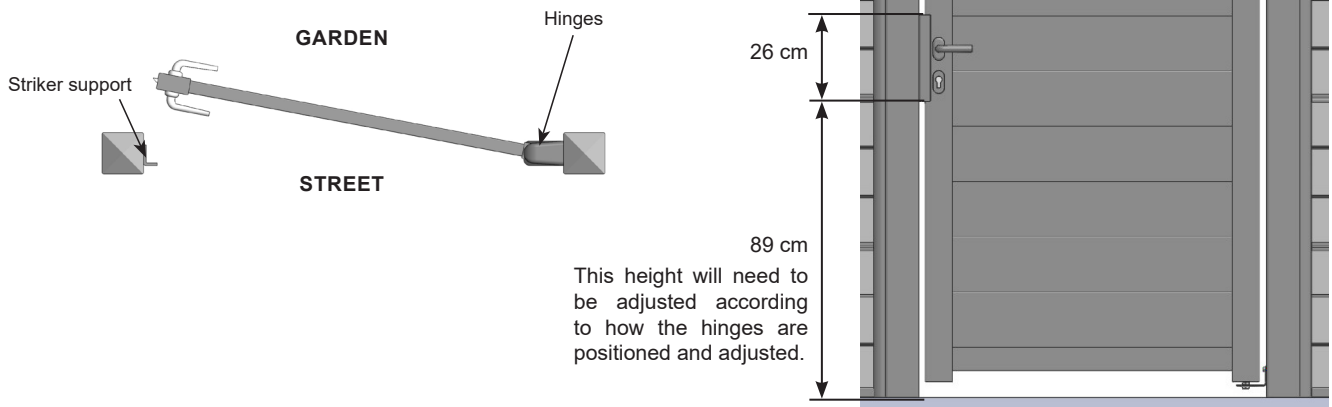
FITTING THE HINGE COVER



FIXING THE STRIKER SUPPORT

The aluminium striker support is fixed to the aluminium post (or masonry pillar) opposite the hinges, once the leaf has been adjusted.

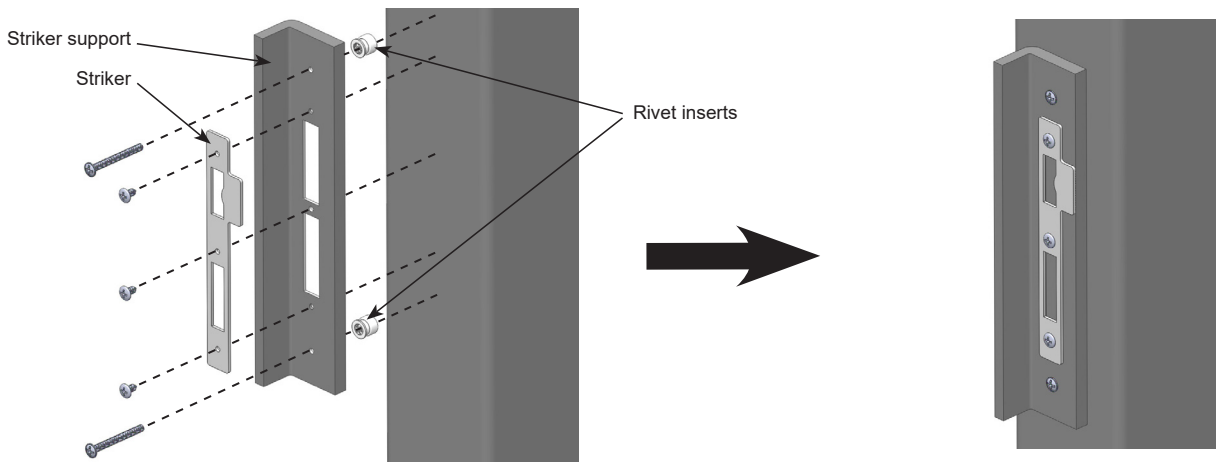
The striker support is made of extruded aluminium, the striker itself is stainless steel.



The screws supplied fix the striker to the striker support, and the support to the aluminium post.

The inserts are to be riveted to the aluminium posts, after pre-drilling $\text{Ø}8$ mm holes.

If installing on a masonry pillar, use $\text{Ø}4$ mm screws with suitable screw anchors.



ADJUSTING THE BOLT

The length of the bolt can be adjusted to compensate for the gap between the leaf and the striker. This is achieved by tightening or loosening the bolt screw.

